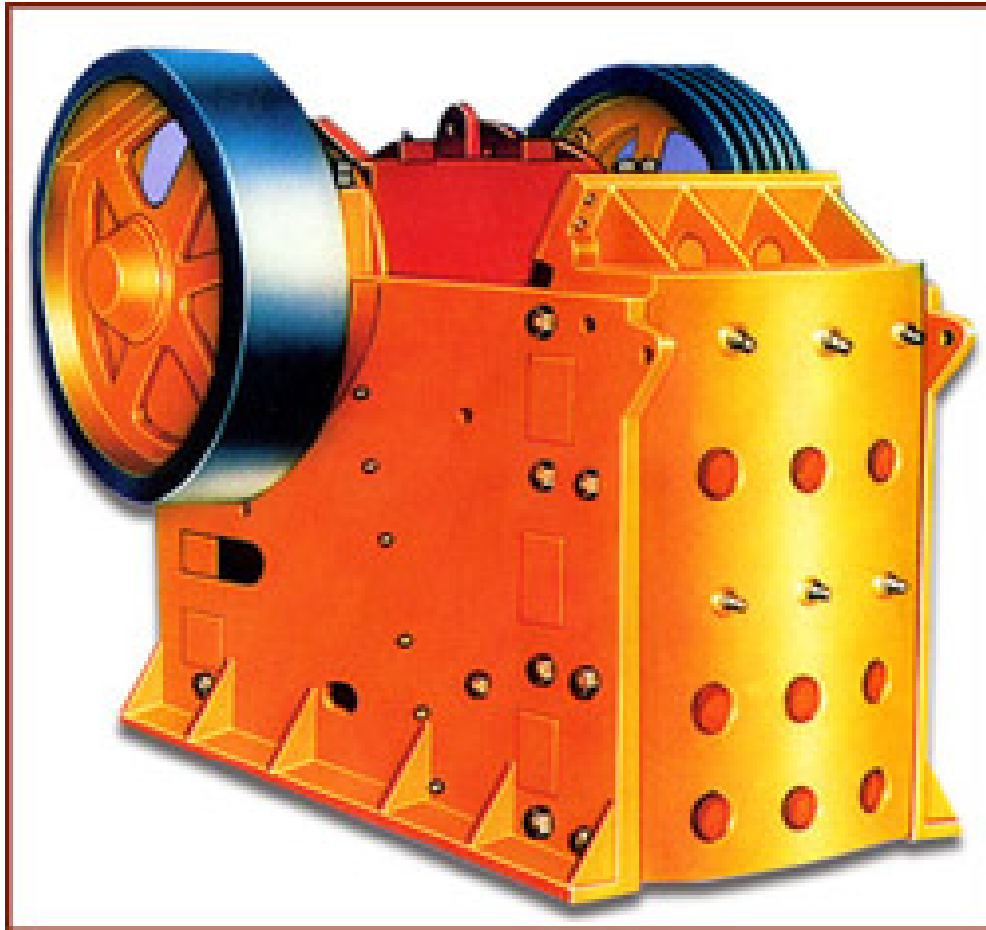




SHMG Equipment (Canada) Corporation

Shan Bao Jaw Crusher Series



Exclusive Retailer in Canada: SHMG Equipment (Canada) Corporation
RMS-ROSS Corporation

For more information about Shanbao products, please contact us at:

Tel: 604-792-3183 Fax: 604-792-3189

Email: sales@shmgca.com

This series of Single Toggle Jaw Crusher features with great crushing ratio, uniform product graininess, easy maintenance and less operating cost. It has been widely used in mining, metallurgical industry, and chemical industries. Suitable for various of ores with compressive resistance less than 320 MPa.

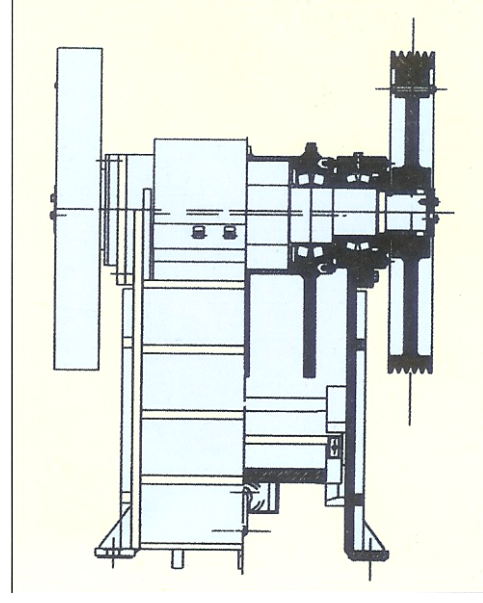
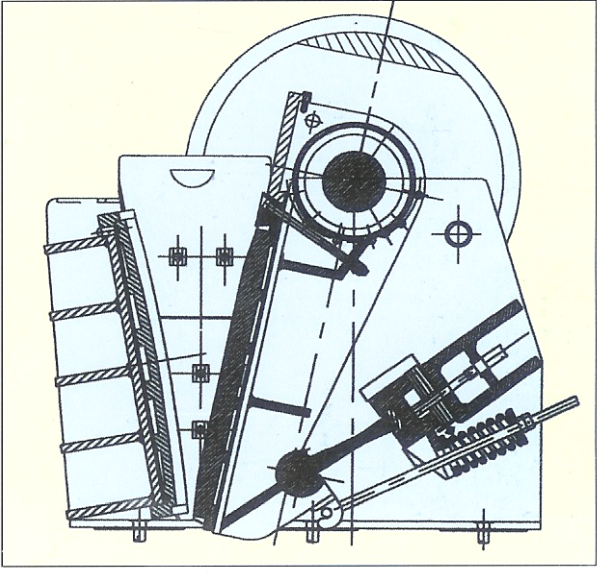


Jaw Crusher (PE) Series Principal Technical Data

Models	Max. Feed Size (in)	Adjustable Range of Discharge Opening (in)		Crushing Capacity(m ³ /h)	Electric Motor Power(kW)	Weight(excluding Electric Motor)(t)
PE-60x100	1.77	0.12	0.39	0.2-0.6	1.1	0.116
PE-150x250	4.92	0.39	1.57	0.6-3	5.5	0.81
PE-250x400	8.27	0.79	2.36	3-13	15	2.8
PE-250x500 I	8.27	0.79	3.15	5.7-31	18.5	3.25
PE-250x500 II	8.27	0.79	3.15	5.7-31	18.5	3.36
PE-400x600	13.39	1.57	3.94	10-34	30	6.5
PE-430x600	15.75	3.54	5.51	35-60	37	6.5
PE-475x1050	15.75	3.54	5.51	37.5-81	55	11.7
PE-500x750	16.73	1.97	3.94	28.5-62.5	55	10.3
PE-600x750	19.69	5.91	7.87	50-100	55	12
PE-600x900I	19.69	2.56	6.30	30-75	55	15.5
PE-620x900	19.69	3.74	5.71	31-70	55	14.3
PE-670x900	20.47	7.68	9.65	66-83	55-75	14.8
PE-750x1060	24.80	3.15	5.51	72-130	110	28
PE-800x1060	25.20	3.94	7.87	85-143	110	30
PE-870x1060	25.98	7.87	10.24	181-210	110	30.5
PE-900x1060	26.97	9.06	11.42	100-250	110	31
PE-900x1200	29.53	3.74	6.50	87-164	110	50
PE-1000x1200	33.46	7.68	10.43	197-214	110	51
PE-1200x1500	40.16	5.91	11.81	250-500	160	100.9
PEV-430x650	14.96	1.57	3.94	25-75	45	5.1
PEV-500x900	16.93	1.97	3.94	31-69	55	10
PEV-600x900	19.69	2.76	5.12	53-106	75	13
PEV-750x1060	25.59	3.15	5.51	72-140	110	24.2
PEX-100x600	3.15	0.28	0.83	2-8	7.5	0.9
PEX-150x750	4.72	0.71	1.89	5-16	15	3.5
PEX-200x1000II	6.30	0.79	2.17	6.9-23.8	22	6.5
PEX-250x750	8.27	0.98	2.36	8-22	22	4.9
PEX-250x1000	8.27	0.98	2.36	10-32	30	6.5
PEX-250x1200	8.27	0.98	2.36	13-38	37	7.7
PEX-300x1300	9.84	0.79	3.54	10-65	75	11

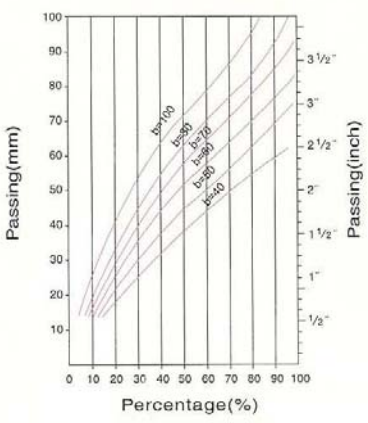


Jaw Crusher Assembly Drawings

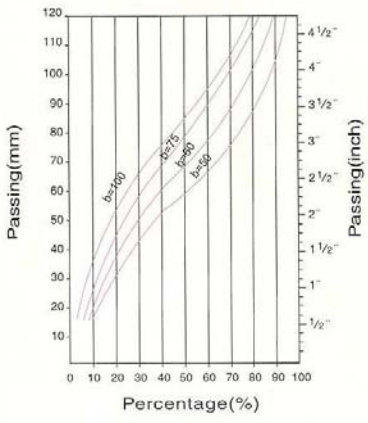


Crushing Curves

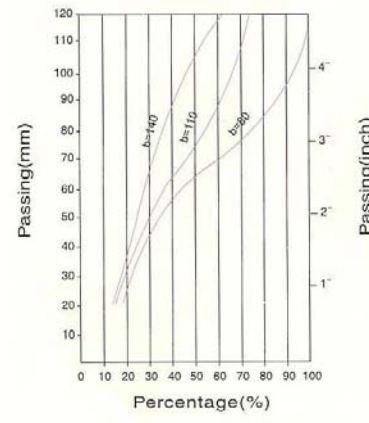
PE-400 x 600JAW CRUSHER



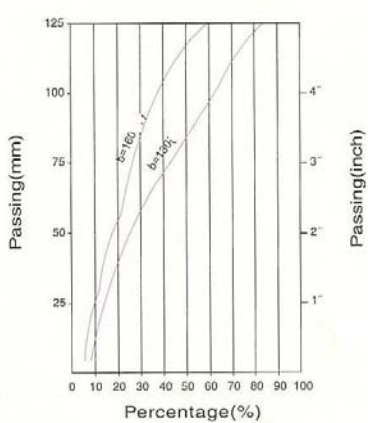
PE-500 x 750JAW CRUSHER



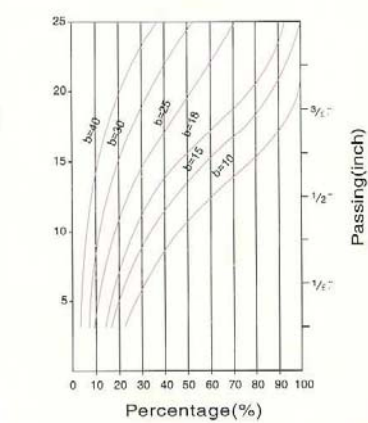
PE-750 x 1060JAW CRUSHER



PE-900 x 1200JAW CRUSHER



PEX-150 x 750JAW CRUSHER



PEX-250 x 1000JAW CRUSHER

